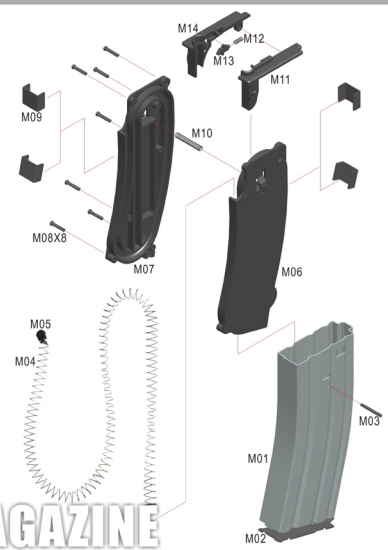
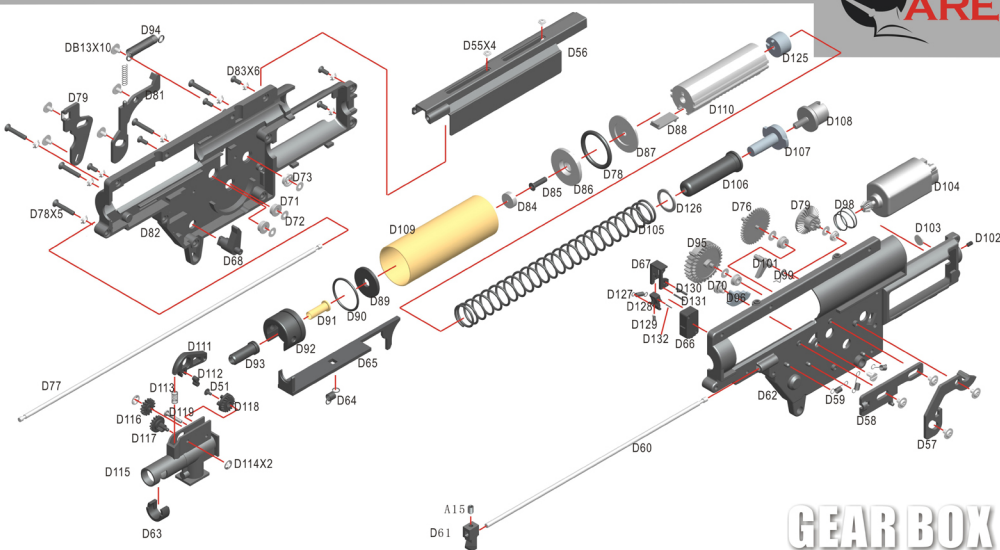




IWI TAVOR-21



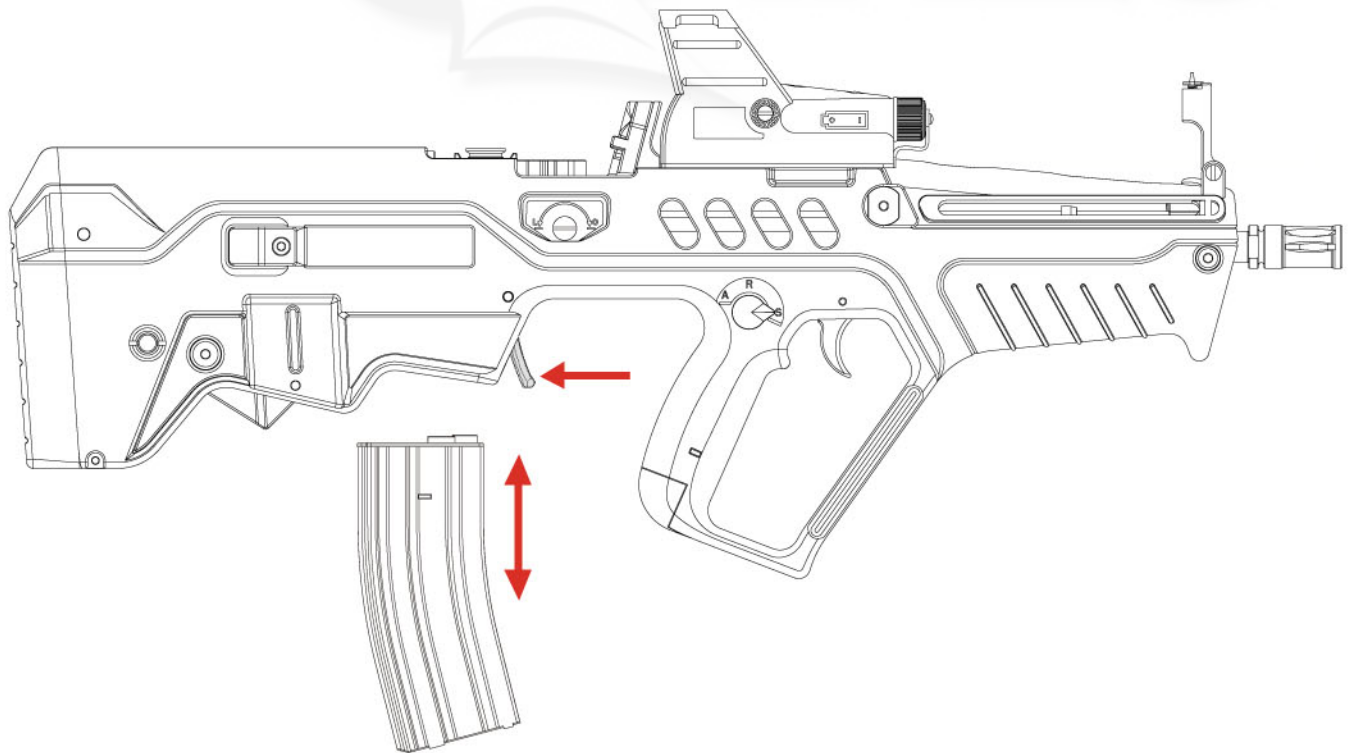
GEAR BOX MAGAZINE

Insert the battery

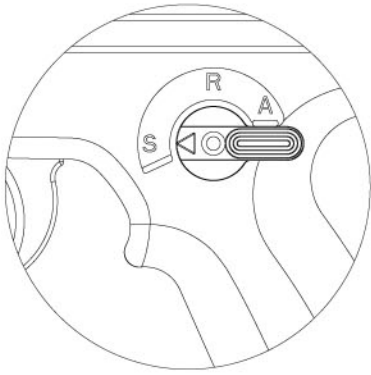
Use the specified battery for your gun.
8.4V 3300mAh



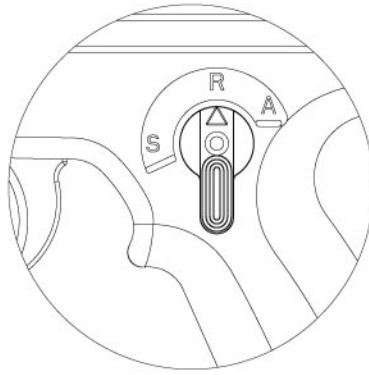
Setting the magazine



FIRING MODE



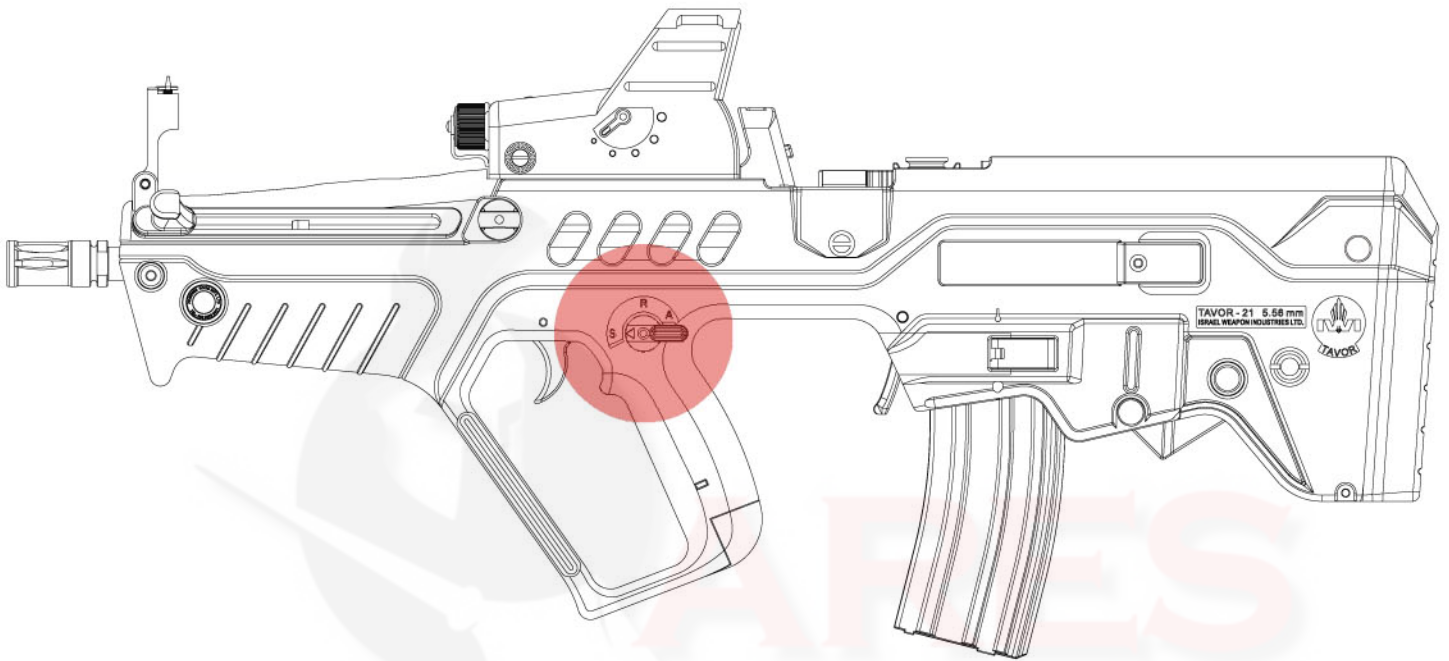
SAFETY



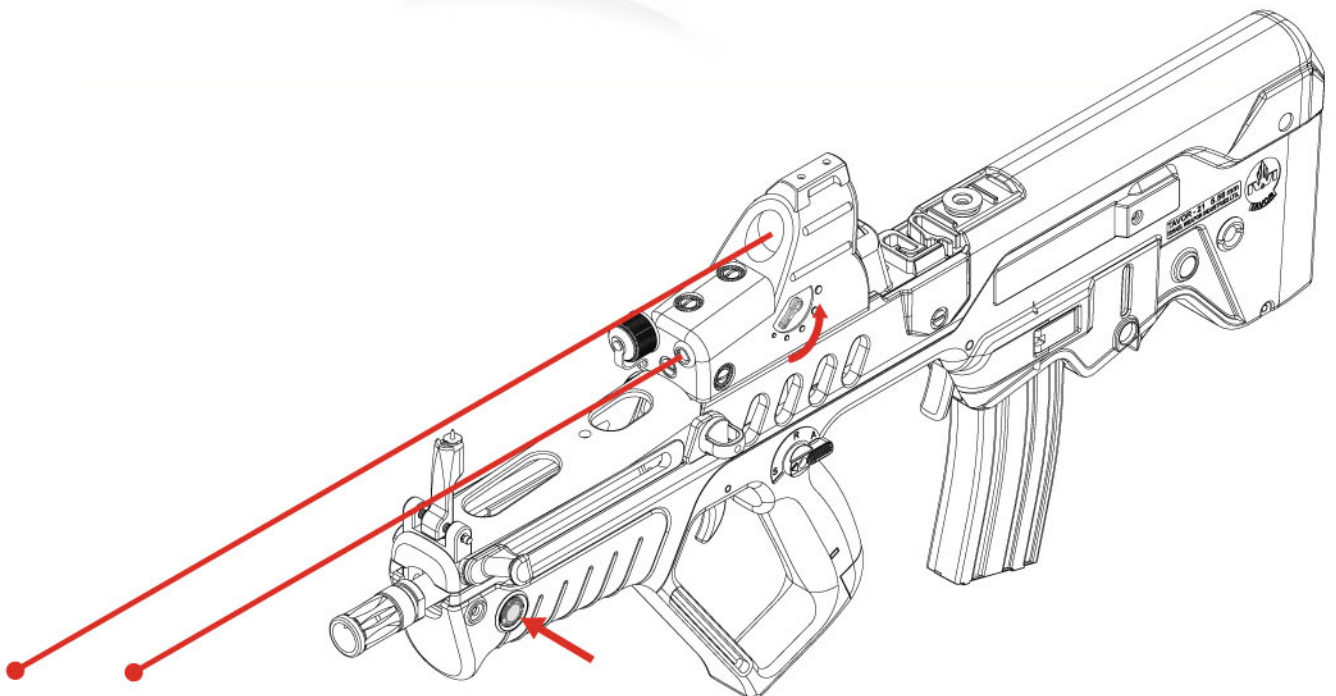
SINGLE



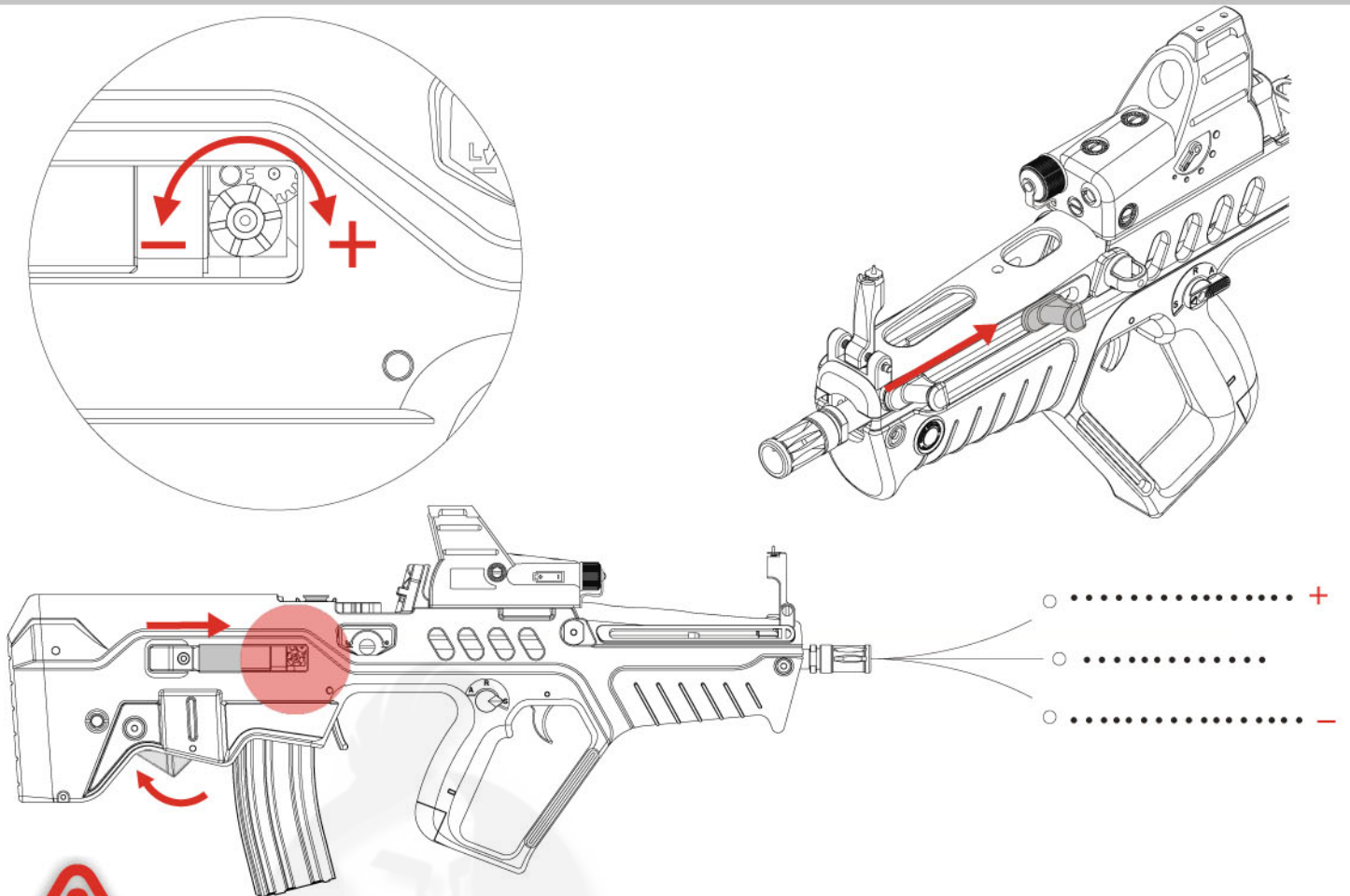
AUTO



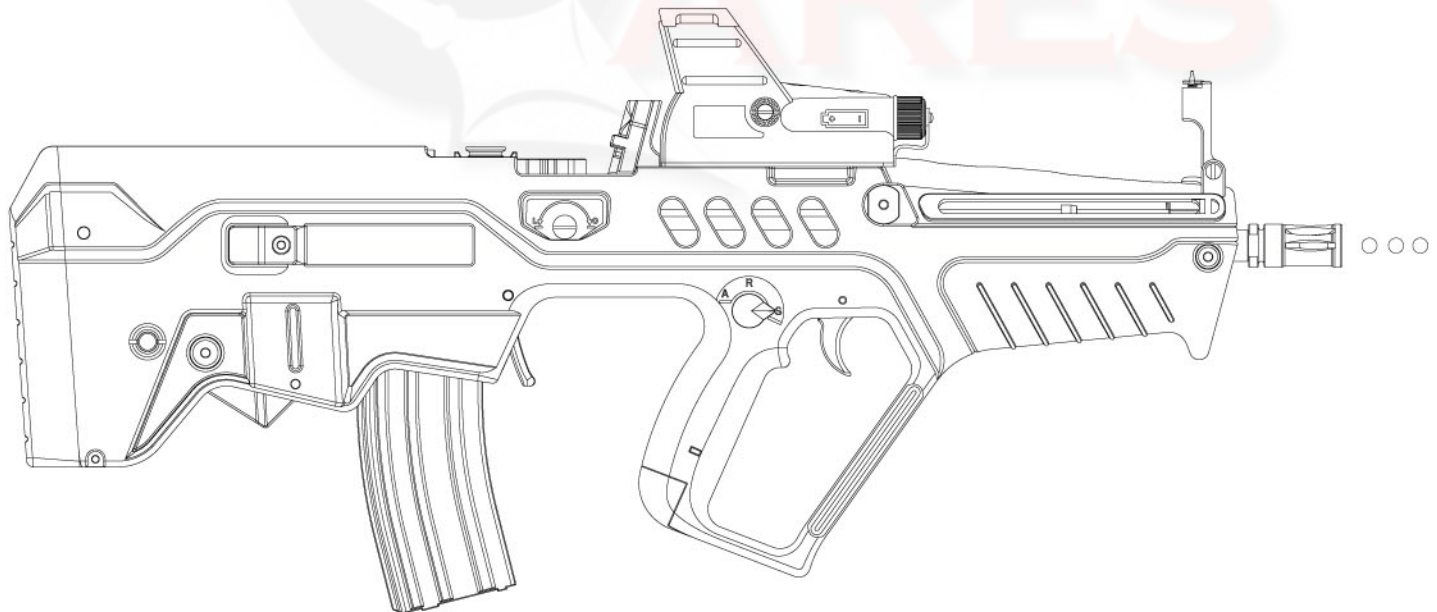
SAFES



Hop-up adjustment



WARNING



- . Do not aim or shoot a person or animal as the target.
- . Avoid pulling the trigger carelessly.
- . Always put the gun in a case or bag when you carrying it.
- . Always set the switch lever to the safety position.
- . Do not look into the gun muzzle.
- . Always wear eye protective gear.
- . Store the airsoft gun at the places out of reach by children.
- . Do not disassemble or modify the airsoft gun.